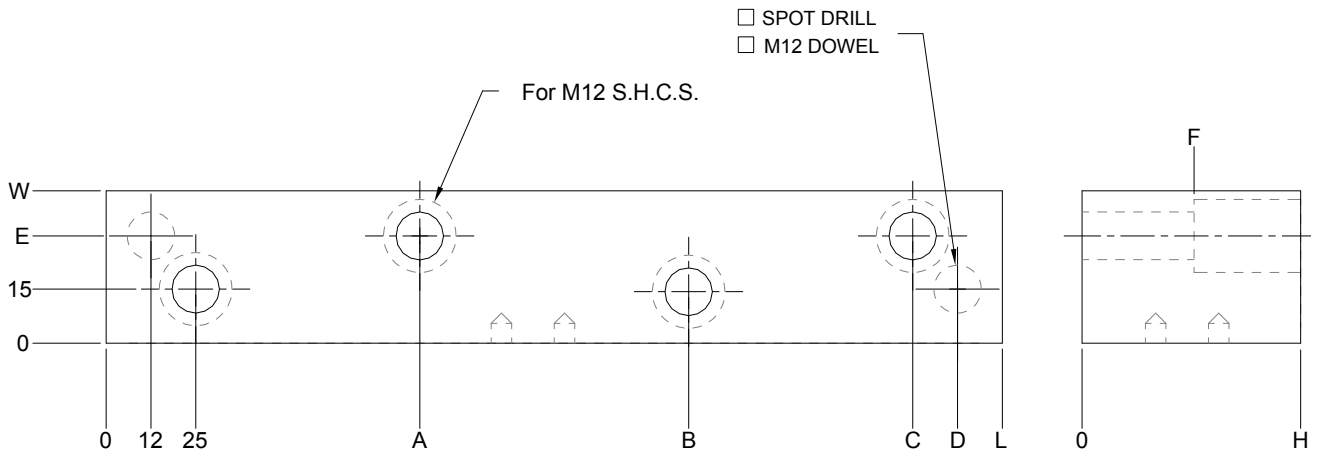


Guide Block - Metric



Material: Steel Solid Bronze Self Lube Plugs: Y N

- LIST ALL REQUIRED DIMENSIONS AND TOLERANCES.
- IF NO TOLERANCE IS SPECIFIED, THEN THE STANDARD CATALOG TOLERANCE WILL BE USED
- ALL SELF LUBE PRODUCTS HAVE 20-30% COVERAGE

	Description	Required Dimension					Required Tolerance
		A	B	C	D	E	
A-E	Hole Locations						/
F	Bottom to C'bore						/
L	Overall Length						/
W	Overall Width						/
H	Overall Height						/

Quantity Required: _____

Special Requirements:

Contact Information:

Customer:			
Contact Name:			
Phone:		FAX:	
E-Mail:			